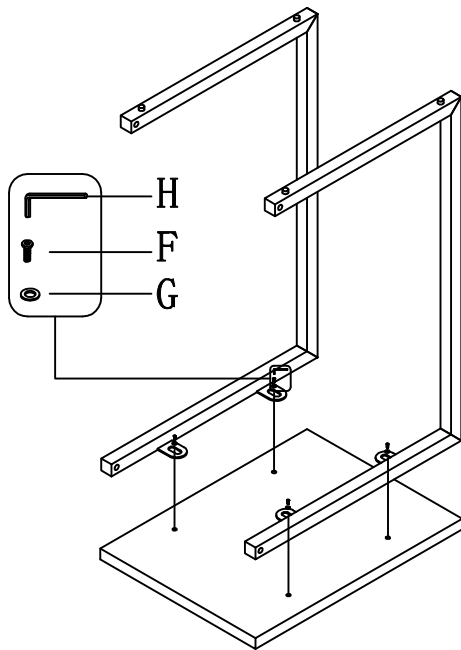
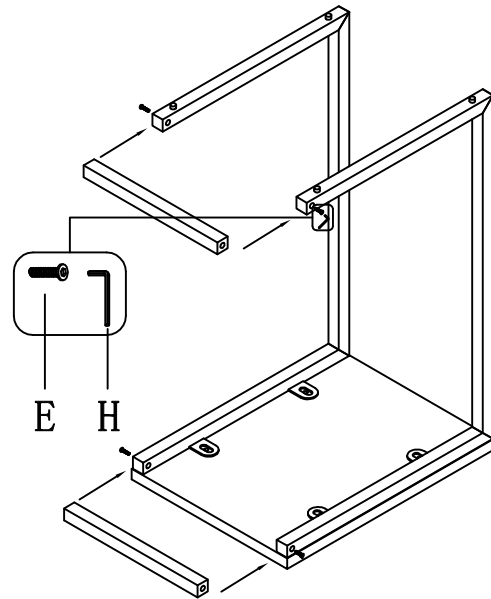


ASSEMBLY INSTRUCTION

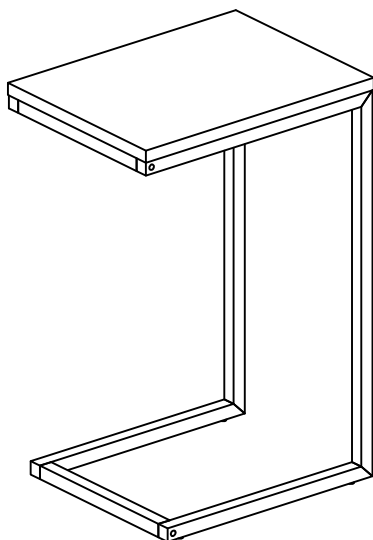
1



2



3



A X1	B X1
C X1	D X2
E X4	F X4
G X4	H X4