

Dimplex



BINGHAM BHM 10

GB

RU

08/51565/0 Issue 1



The product complies with the European Safety Standards EN60335-2-30 and the European Standard Electromagnetic Compatibility (EMC) EN55014, EN60555-2 and EN60555-3 These cover the essential requirements of EEC Directives 2006/95/EC and 2004/108/EC

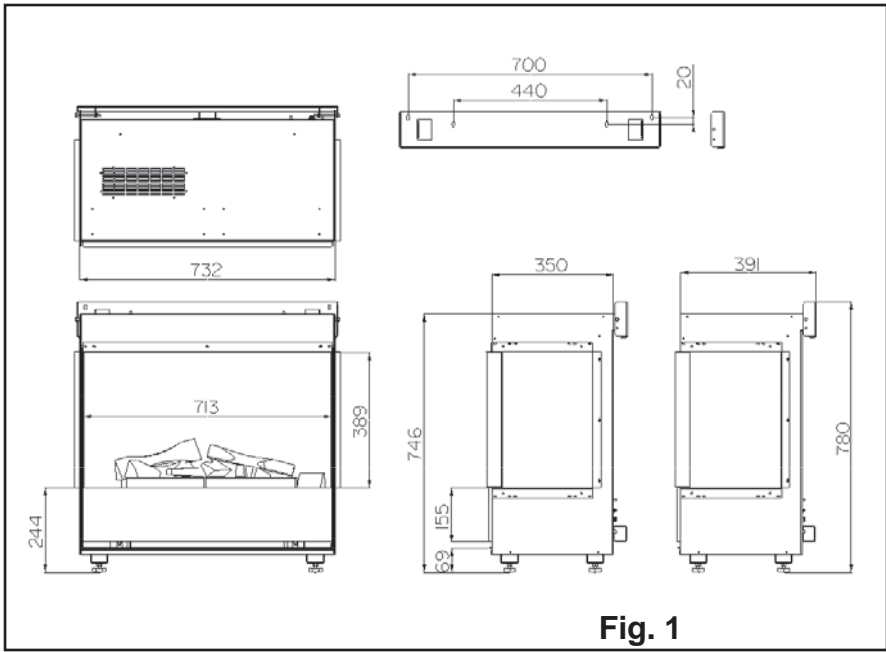


Fig. 1

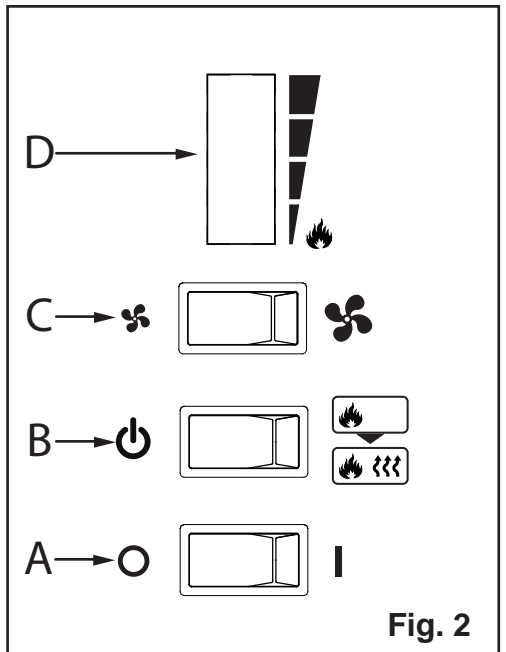


Fig. 2



Fig. 3a

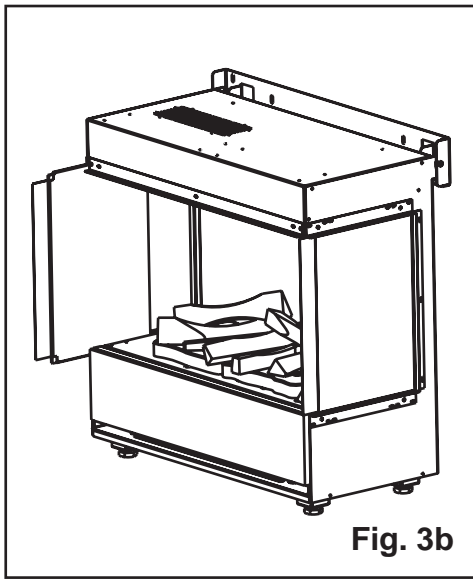


Fig. 3b

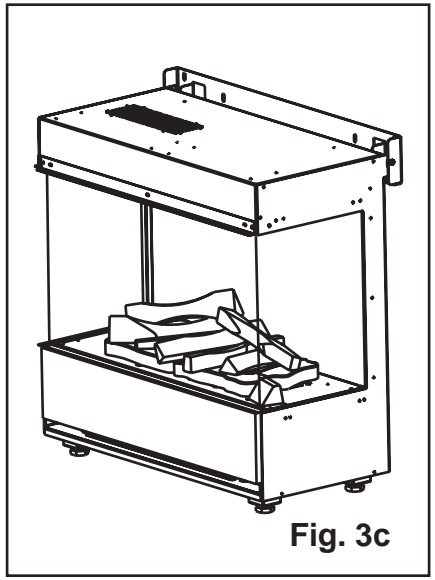


Fig. 3c

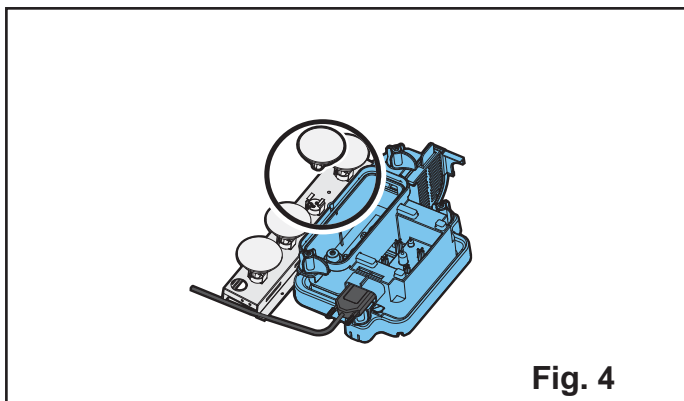


Fig. 4

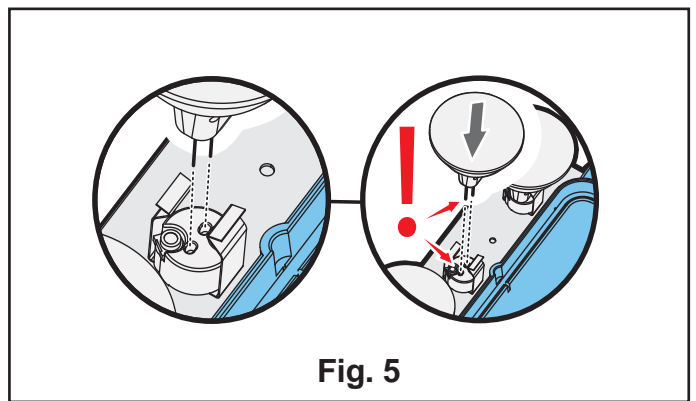


Fig. 5

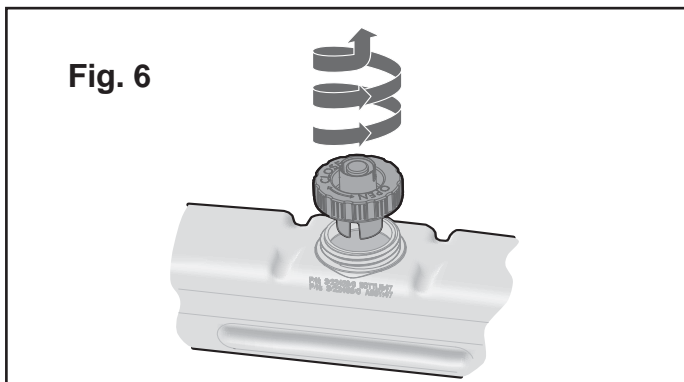


Fig. 6

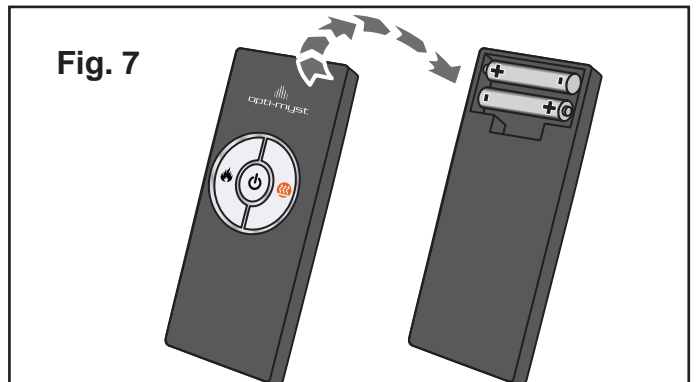


Fig. 7

Fig. 8

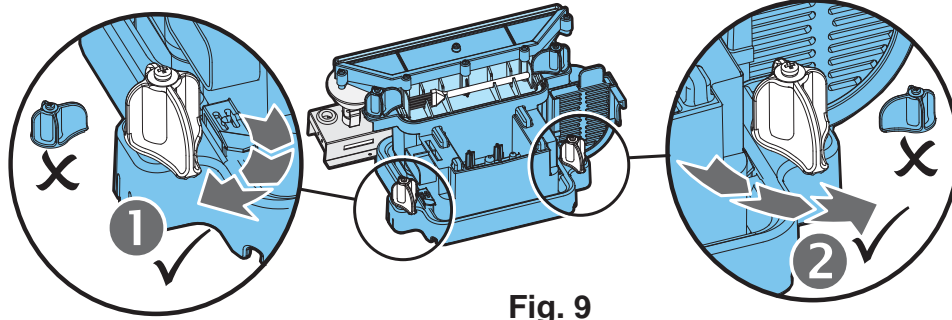
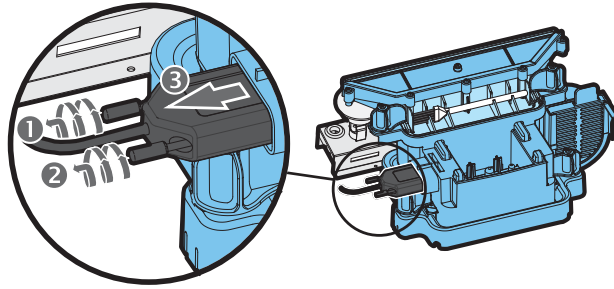


Fig. 9

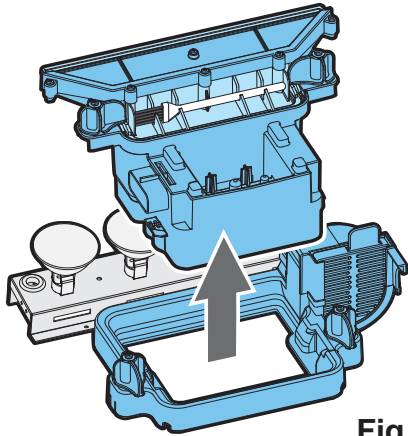


Fig. 10

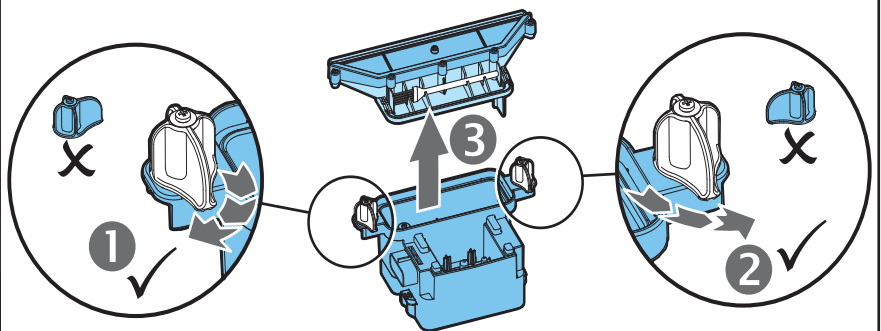


Fig. 11

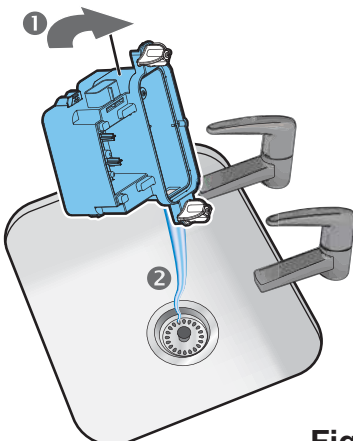


Fig. 12

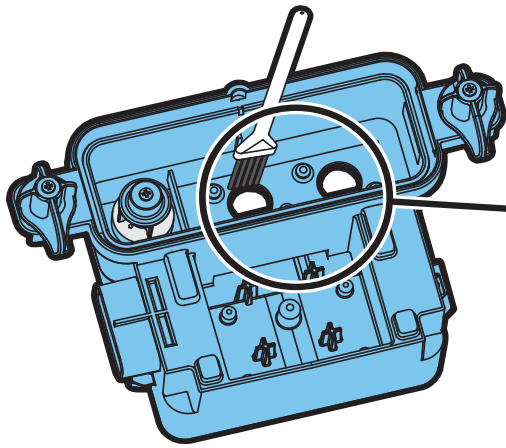


Fig. 13

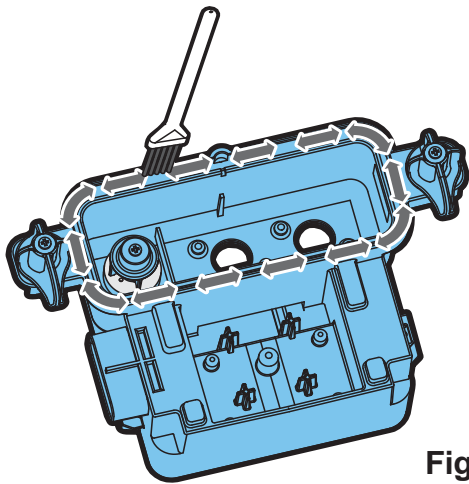
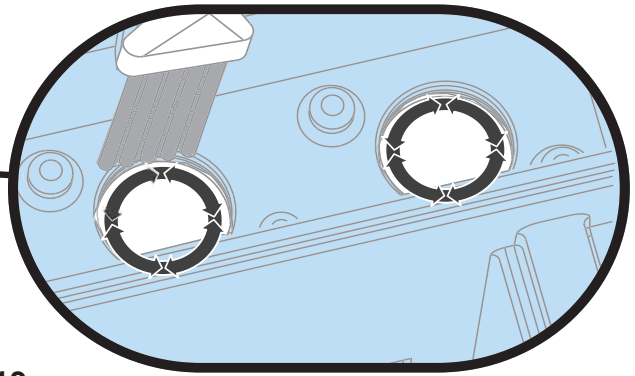


Fig. 14

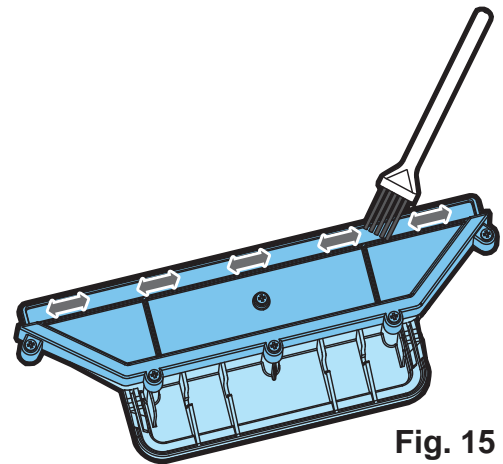


Fig. 15

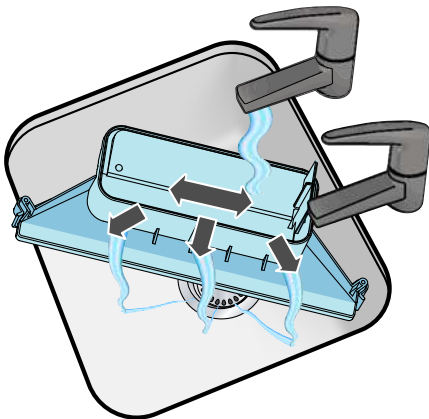


Fig. 16

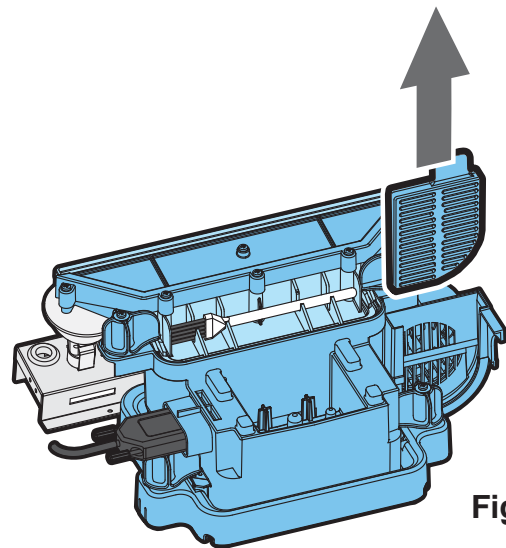


Fig. 17

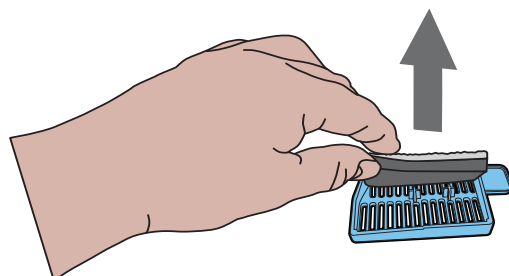


Fig. 18

GB	1
RU.....	6

IMPORTANT: THESE INSTRUCTIONS SHOULD BE READ CAREFULLY AND RETAINED FOR FUTURE REFERENCE

Important Safety Advice:

When using electrical appliances, basic precautions should always be followed to reduce the risk of fire, electrical shock and injury to persons, including the following:

If the appliance is damaged, check with the supplier before installation and operation.

Do not use outdoors.

Do not use in the immediate surroundings of a bath, shower or swimming pool.

Do not locate the heater immediately below a fixed socket outlet or connection box.

This appliance is not intended for use by children or other persons without assistance or supervision if their physical, sensory or mental capabilities prevent them from using it safely. Children should be supervised to ensure that they do not play with the appliance.

Do not use this heater in series with a thermal control, a program controller, a timer or any other device that switches on the heat automatically, since a fire risk exists when the heater is accidentally covered or displaced.

Ensure that furniture, curtains or other combustible material are positioned no closer than 1 metre from the heater.

In the event of a fault unplug the heater.

Unplug the heater when not required for long periods.

Although this heater complies with safety standards, we do not recommend its use on deep pile carpets or on long hair type of rugs.

The appliance must be positioned so that the plug is accessible.

If the supply cord is damaged it must be replaced by the manufacturer or service agent or a similarly qualified person in order to avoid a hazard.

Keep the supply cord away from the front of the heater.

WARNING: In order to avoid overheating, do not cover the heater. Do not place material or garments on the heater, or obstruct the air circulation around the heater.

The heater carries a **DO NOT COVER** warning indicating that it must not be covered.

General.

Unpack the heater carefully and retain the packaging for possible future use, in the event of moving or returning the fire to your supplier. The Remote Control, batteries and lamps are packed separately in the carton.

The fire incorporates a flame effect, which can be used with or without heating, so that the comforting effect may be enjoyed at any time of the year. Using the flame effect on its own only requires little electricity.

Before connecting the heater check that the supply voltage is the same as that stated on the heater.

Please note: Used in an environment where background noise is very low, it may be possible to hear a sound which is related to the operation of the flame effect. This is normal and should not be a cause for concern.

Electrical connection.

WARNING – THIS APPLIANCE MUST BE EARTHED.

This heater must be used on an AC ~ supply only and the voltage marked on the heater must correspond to the supply voltage.

Before switching on, please read the safety warnings and operating instructions.

PLEASE RETAIN THIS USER'S GUIDE FOR FUTURE REFERENCE

Do not put Opti-myst plastic components into a dishwasher.

Only slide out the drawer when the water tank needs to be filled or a lamp needs to be changed otherwise you will inadvertently alter the water level and the flame effect operation.

Only use filtered tap water in this appliance.

Always ensure that the appliance is sitting on a level surface.

If you intend not using the appliance for longer than 2 weeks, drain the water from sump and water tank and dry the sump.

Once installed, never move this appliance or lay on its back, without draining the water from sump and water tank.

The water tank, sump, sump lid, tank cap and air filters must be cleaned once every two weeks, particularly in hard water areas.

The appliance should never be operated if the lamps are not working.

The lamps should be regularly inspected as described under 'Maintenance' and 'Changing Lamps'.

Installation Instructions

The Bingham can be installed in a variety of configurations using the components supplied; fully recessed with a glass front and metal sides, partially recessed with a glass front and one side of glass and one of metal, or partially recessed with a glass front and two glass sides. In all cases the appliance will have to be built into a suitable structure, flush with the sides of the product, maintaining a minimum clearance of 50mm above and below the product and 300mm between the top of the fire and any projecting shelf.

The metal sides of the Bingham can be removed as necessary using the suction cups supplied (see Fig 3a). Fix the cups to the front glass and lift the glass upwards and then downwards and away from the product. Remove the rubber cord on the inside of the side glass at the bottom and the top. Carefully slide the metal plate and the side glass out together (see Fig 3b). Separate the side glass from the metal plate and slide the glass back into place. Use the thicker rubber cord that can be found in the packet with the instruction leaflet to fix the side glass in place and then replace the front glass using the suction cups. Use the cups to adjust the position of the front and side glass as necessary.

Please ensure that the gap between the MDF panel and the metal base is not covered. This is to allow air flow into the product and if covered may result in poor flame effect and product performance.

Before installing this appliance, we recommend that;

1. Choose which style of Bingham you require and make the required adjustments to the appliance
2. If the appliance is to be installed in an existing chimney breast, ensure that the chimney is cleaned by a competent chimney sweep and block off the chimney flue.

This procedure is important for the efficient operation of appliance.

Installation.

Ensure that all packing items are removed (read any warning labels carefully).

Retain all packing for possible future use, in the event of moving or returning the appliance to your supplier.

Under the appliance there are four adjustable supports provided for levelling, where the base of the fireplace opening is raised above the level of the hearth.

You are now ready to install the electric fire. Make sure the unit is switched **OFF**.

Using the correct fixings for your wall fix the wall bracket to the wall. With two persons hold the fire by the sides and gently manoeuvre into position. Plug the fire into a 13amp/240 volt outlet. Ensure that the supply cable exits at the front of the fire, at the right or left hand corner to suit your supply socket location and is not trapped under the fire such that it might become damaged, also that the plug is accessible after installation.

Before using the manual controls firstly fill the water tank (See 'Maintenance', 'Filling the water tank').

Manual Controls.

The Opti-myst Manual controls are located behind the drawer front. Slide out the drawer to access the controls. (See Fig. 2 for Manual Control lay out)

Switch 'A':- Controls the electricity supply to the heater.

Note: This switch must be in the 'ON' (I) position for the appliance to operate, with or without heat.

Switch 'B':- Controls the functions of the fire.

Press  once to turn on flame effect. This will be indicated by one beep.

Although the main lights operate immediately it will take a further 30 seconds before the flame effect starts.

Press it again to give flame effect and heat. This will be indicated by two beeps.

Press it again to return to flame effect only.

This will be indicated by one beep.

Press  to put fire in to standby mode.

This will be indicated by one beep.

Switch 'C':- Controls the mist extractor motor.

There are two speeds for the mist extractor motor, low and high. This function is required to eliminate condensation on the glass. When the unit is switched on the mist extractor motor will run at high speed for 1 minute and then will default to the low setting.

Thumb Wheel 'D':- Controls the mist output.

Turning the wheel upwards will increase the amount of mist produced and turning the wheel downwards decreases the amount of mist produced.

Note: Should condensation appear on the glass, simply turn down the mist and switch the mist extractor motor to high speed until the condensation has been eliminated.

When the water tank is empty the main lamps will go out. See instructions under 'Maintenance'; 'Filling the water tank'. When this procedure is complete, the main lamps will illuminate but it will take approx 30 seconds before the flames return.

Remote Control Operation

On the control panel, Switch A (see Fig. 2) must be in the 'ON' (I) position in order for the remote control to operate. There are 3 buttons on the remote control. (See Fig. 7)

To operate correctly the remote must be pointed towards the front of the fuel effect.

The remote control functions are as follows:



Press once to turn on Flame effect only.

This will be indicated by one beep.



Press once to turn on Heat and Flame effect.

This will be indicated by two beeps.



Standby

This will be indicated by one beep.

Battery Information.

1. Unclip the battery cover on the back of the remote control. (See Fig. 7)
2. Install AAA batteries into the remote control.
3. Replace the battery cover.

Discard leaky batteries.

Dispose of batteries in the proper manner according to national and local regulations.

Any battery may leak electrolyte if mixed with a different battery type, if inserted incorrectly, if all the batteries are not replaced at the same time, if disposed of in a fire, or if an attempt is made to charge a battery not intended to be recharged.

Thermal safety cut-out

A thermal safety cut-out is incorporated in the fan heater to prevent damage due to overheating. This can happen if the heat outlet is restricted in any way or if the chimney flue has not been blocked off effectively. If the cut-out operates, unplug the heater from the socket outlet and allow approximately 10 minutes before reconnecting. Before switching the heater back on remove any obstruction that may be restricting the heat outlet, then continue normal operation.

Caution: In order to avoid hazard due to inadvertent resetting of the thermal cutout, this appliance must not be powered through an external switching device, such as a timer, or connected to a switch that is regularly switched on and off by the utility.

This heater is not equipped with a thermostat to control the room temperature.

Tips for using your appliance.

1. Only pull out the drawer when its time to refill the water tank or change a lamp, otherwise it may lead to excess water in the sump and reduced flame effect. If this happens empty the water from the sump as instructed under

'Maintenance'.

2. With the flame setting on minimum the unit will use approximately 40ml of water per hour and will last 3 times as long than when it is at maximum flame setting.
3. Do not tilt or move the fire while there is water in the tank or sump.
4. Make sure that the fire is on a level surface.
5. The flame thumb wheel 'D' Fig. 2 may be turned up or down to give a more realistic effect.
6. Sometimes the flames appear more real when the flame thumb wheel is turned down.
7. Give the flame generator some time to react to changes you may make on the flame control knob.

Maintenance

WARNING: ALWAYS DISCONNECT FROM THE POWER SUPPLY BEFORE ATTEMPTING ANY MAINTENANCE

Fitting Replacement lamps.

If a large amount of the smoke appears grey or colourless it may be that one or more lamps have failed.

You can check for lamp failure as follows.

1. Leaving the flame effect on, gently pull the drawer fully out by the tab. (See Fig. 3)
2. View the lamps from a distance in front of the fire and observe which lamp needs to be changed.
3. Put Switch 'A' in the 'OFF' position, and unplug the fire from the mains.
4. Leave the appliance for 20 minutes to allow the lamps to cool down before removing them.
5. Remove the water tank by lifting upwards and place in a sink.
6. Remove the sump as described in the Cleaning Section.
7. Remove the defective lamp, by gently lifting vertically and disengaging the pins from the lamp holder, (See Fig.4 and 5). Replace with an original, 12V, 50W, Gu5.3 base, 8° beam angle, coloured lamp. Purchase the lamps from your supplier
8. Insert the two pins of the new lamp into the two holes in the lamp holder, taking care not to damage the pins. Push firmly in place. (See Fig. 4 and 5).
9. Replace the Sump and water tank and carefully close the drawer.
10. Switch on.

Filling the water tank.

When the water tank is empty, the flame and smoke effect shuts off, and you will hear 2 audible 'beeps'. Follow these steps to refill:

1. Press Switch 'A' to (0) (See Fig. 2)
2. Gently pull out the drawer as far as possible by the tab. (See Fig. 3)
3. Remove the water tank by lifting upwards and outwards.
4. Place the water tank in sink and remove cap, Anti-clockwise to open. (See Fig. 6)
5. Fill tank with **filtered tap water only**. This is necessary to prolong the life of the flame and smoke producing unit. **Do not use a decalcifier.**
6. Screw the cap back on, **do not overtighten.**
7. Return the tank to the sump, with the tank cap facing down and the flat side of the tank facing outward.
8. Gently push the drawer back in as far as it will go.
9. Press Switch 'A' to 'ON' (1) position (See Fig. 2)
10. Press Switch 'B' once to turn on flame effect. (See manual control section and Fig. 2)

Cleaning.

WARNING – ALWAYS DISCONNECT FROM THE POWER SUPPLY BEFORE CLEANING THE HEATER.

We recommend cleaning the following components once every 2 weeks, particularly in hard water areas:-

Water Tank, Sump and Seal, Sump lid, Tank cap and seal, Air filter.

For general cleaning use a soft clean duster – never use abrasive cleaners. To remove any accumulation of dust or fluff the soft brush attachment of a vacuum cleaner should occasionally be used to clean the outlet grille of the fan heater.

Water tank

1. Remove water tank, as described earlier, put into sink and empty water.
2. Using the supplied brush gently rub the inside surfaces of the cap paying particular attention to the rubber ring in the outer groove and the centre rubber seal.
3. Put a small quantity of washing up liquid into the tank, refit the cap and shake well, rinse out until all traces of washing up liquid are gone.
4. Refill with filtered tap water only, replace the cap, do not overtighten.

Sump

1. Press Switch 'A' to the 'OFF' (0) position
2. Gently pull the drawer out as far as possible. (See Fig. 3)
3. Remove the water tank by lifting upwards.
4. Disconnect the electrical connector, located on the left side of the sump, by first loosening the two retaining screws and gently withdrawing the connector. (See Fig. 8)
5. Release the lower sump locking tabs by turning 90°, this allows the sump to be lifted completely from its location. (See Fig. 9)
6. Gently lift up the sump assembly, taking care to keep level so as not to spill any water. **Do not immerse the sump in water as this will damage the components inside.** (See Fig. 10)
7. Release the two upper sump locking tabs by turning 90°, then lift off the sump lid. (See Fig. 11)
8. Carefully tilt, as shown, so that the liquid drains out of the sump. (See Fig. 12)
9. Put a small amount of washing up liquid into the sump, and using the supplied brush, gently clean all surfaces including the metal disc and the rubber seal located in the top grooved surface. **Do not remove the rubber seals.** (See Fig. 13 and 14)
10. When cleaned, thoroughly rinse the sump with clean water.
11. Clean the outlet surface of the sump lid with the brush and flush out thoroughly with water. (See Fig. 15 & 16)
12. Reverse the above steps to reassemble.

Air filter.

1. Press Switch 'A' to the 'OFF' (0) position (See Fig. 2)
2. Gently pull the drawer out as far as possible. (See Fig. 3)
3. Remove the tank and place in a sink with the cap facing upwards.
4. Gently slide upwards the air filter plastic holder. (See Fig. 17)
5. Remove the filter combination from the plastic holder.
6. Gently rinse with water in the sink and dry with fabric towel before returning.

7. Replace the filter combination making sure that the coarse black filter is in contact with the plastic holder. (See Fig. 18)
8. Replace the tank.
9. Close the drawer fully.
10. Press Switch 'A' to the 'ON' (I) position (See Fig. 2)

Recycling.



For electrical products sold within the European Community. At the end of the electrical products useful life it should not be disposed of with household waste. Please recycle where facilities exist. Check with your Local Authority or retailer for recycling advice in your country.

After Sales Service.

Your product is guaranteed for one year from the date of purchase. Within this period, we undertake to repair or exchange this product free of charge (excluding lamps & subject to availability) provided it has been installed and operated in accordance with these instructions. Should you require after sales service or should you need to purchase any spares, please contact the retailer from whom the appliance was purchased or contact the service number relevant to your country on the warranty card. Please do not return a faulty product to us in the first instance as this may result in the loss or damage and delay in providing you with a satisfactory service.

Please retain your receipt as proof of purchase.

Troubleshooting		
Symptom	Cause	Corrective Action
The flame effect will not start.	<p>Mains plug is not plugged in.</p> <p>Switch A is in the 'ON' (I) position, but mode Switch B has not been pressed. (See Fig. 2)</p> <p>Low water level.</p> <p>Low voltage connector not connected properly. (See Fig. 8)</p>	<p>Check plug is connected to wall socket correctly.</p> <p>Press Switch B once for flame effect. (See Fig. 2)</p> <p>Check the water tank is full and there is water in the sump.</p> <p>Check that the connector is inserted correctly. (See Fig. 8)</p>
The flame effect is too low.	<p>Flame effect thumb wheel is set too low. (See Fig. 2)</p> <p>The water in the sump may be too high due to the drawer being opened and closed a number of times, water tank removed a number of times, or the fire has been moved.</p> <p>Metal Disc at the base of Sump might be dirty (See Fig. 13)</p>	<p>Increase level of flame by turning thumb wheel D clockwise slowly. (See Fig. 2)</p> <p>If water level in the sump is more than 40mm, the sump should be removed and emptied in the sink.</p> <p>Clean Metal Disc with soft brush supplied. (See Fig. 13) See 'Maintenance' for a step by step procedure.</p>
Unpleasant smell when unit is used.	<p>Dirty or stale water.</p> <p>Using unfiltered tap water.</p>	<p>Clean the unit as described under maintenance.</p> <p>Use only filtered tap water.</p>
The flame effect has too much smoke.	<p>Flame effect setting is too high.</p>	<p>Turn the flame effect Thumb Wheel 'D' down to minimum and slowly turn up, about ¼ a turn, at a time. Give the flame generator some time to adjust before increasing. (See Fig. 2)</p>
Main lamps are not working and there are no flames or smoke.	<p>There is no water in the tank.</p>	<p>Follow instructions under Maintenance, 'Filling the water tank'.</p> <p>Check the plug is connected to wall socket correctly.</p> <p>Switch 'A' Fig. 2 is in the 'ON' (I) position.</p> <p>Press switch 'B' Fig. 2 until you can hear one beep only, for flame effect.</p>
Condensation on the glass	<p>The mist setting is too high</p> <p>The glass may be cold during product start-up</p>	<p>Reduce the mist intensity by turning the thumb wheel 'D' down</p> <p>Reduce the mist intensity to low and turn switch 'C' to high speed.</p> <p>Run the product under this setting until the glass clears then return to your preferred setting.</p> <p>Repeat this procedure should condensation return</p>

ВАЖНО: ВНИМАТЕЛЬНО ПРОЧИТАЙТЕ ЭТИ ИНСТРУКЦИИ И СОХРАНИТЕ ИХ ДЛЯ БУДУЩЕГО ИСПОЛЬЗОВАНИЯ

Важная информация по технике безопасности.

Для снижения риска воспламенения, поражения электрическим током и получения травм при использовании электроприборов необходимо соблюдать основные меры безопасности, в том числе:

Если прибор поврежден, перед его установкой и эксплуатацией обратитесь к поставщику.

Не используйте прибор на открытом воздухе.

Не используйте прибор в непосредственной близости от ванной комнаты, душа или бассейна.

Не располагайте прибор непосредственно под штепсельной розеткой или соединительной коробкой.

Данный прибор не предназначен для использования детьми или другими лицами без посторонней помощи или контроля, если их физические, сенсорные или умственные способности препятствуют безопасной эксплуатации прибора. Внимательно следите за тем, чтобы дети не играли с прибором.

Не используйте данный обогреватель в сочетании с терморегулятором, программным контроллером, таймером или любым другим устройством, которое осуществляет автоматическое переключение в режим нагрева, поскольку случайное закрывание или смещение обогревателя может стать причиной пожара.

Убедитесь в том, что на расстоянии 1 м от обогревателя отсутствует мебель, шторы или другие воспламеняющиеся предметы.

В случае сбоя выньте вилку обогревателя из розетки.

Отсоединяйте прибор от розетки, если он не используется в течение длительного времени.

Хотя прибор соответствует нормам безопасности, мы не рекомендуем устанавливать его на ковровых покрытиях с длинным ворсом.

Прибор следует располагать так, чтобы имелся доступ к его вилке.

Если шнур питания поврежден, его замена должна производиться изготовителем, агентом по сервисному обслуживанию или аналогичным квалифицированным специалистом во избежание возникновения опасных ситуаций.

Следите за тем, чтобы шнур питания не оказался в зоне перед обогревателем.

ВНИМАНИЕ! Не накрывайте обогреватель во избежание перегрева. Не кладите на обогреватель ткань или одежду и не создавайте препятствия для циркуляции воздуха вокруг обогревателя.

На обогревателе располагается предупреждающий знак «DO NOT COVER» («НЕ НАКРЫВАТЬ»), показывающий, что прибор нельзя накрывать.

Перед подключением обогревателя убедитесь в том, что напряжение питания соответствует значению, указанному на обогревателе.

Обратите внимание! Если прибор используется в помещении с низким уровнем фонового шума, можно услышать звук, создаваемый эффектом пламени. Это нормальное явление, которое не должно служить причиной для беспокойства.

Электрическое подключение.

ВНИМАНИЕ! ДАННЫЙ ПРИБОР ТРЕБУЕТ ЗАЗЕМЛЕНИЯ.

Прибор следует подключать только к источнику питания переменного тока, при этом напряжение должно соответствовать указанному на приборе.

Перед включением прибора ознакомьтесь с указаниями по безопасности и инструкцией по эксплуатации.

СОХРАНИТЕ ДАННОЕ РУКОВОДСТВО ДЛЯ БУДУЩЕГО ИСПОЛЬЗОВАНИЯ

Не мойте пластмассовые части прибора Opti-myst в посудомоечной машине.

Выдвигайте ящик только при необходимости доливки воды в бак или замены лампы, иначе можно случайно изменить уровень воды и нарушить работу эффекта пламени.

Используйте для этого прибора только фильтрованную воду из-под крана.

Прибор следует устанавливать только на ровной поверхности.

Если прибор не будет использоваться в течение более 2 недель, слейте воду из поддона и бака и протрите поддон.

После установки нельзя перемещать и опрокидывать прибор, не слив предварительно воду из поддона и бака. Бак для воды, поддон, крышку поддона, пробку бака и воздушные фильтры следует очищать каждые две недели, особенно в регионах с жесткой водой.

Нельзя использовать прибор, если лампы не работают.

Лампы следует регулярно проверять, как описано в главах «Техобслуживание» и «Замена ламп».

Указания по установке

Предусмотрен целый ряд вариантов установки модели Bingham с использованием крепежа, входящего в комплект поставки: в полностью заглубленном виде с передним стеклом и металлическими боковыми стенками, в частично заглубленном виде с передним стеклом и одной стеклянной и одной металлической боковой стенкой, а также в частично заглубленном виде с передним стеклом и двумя стеклянными боковыми стенками. В каждом из вариантов монтажа прибор встраивается в подходящую конструкцию заподлицо с боковыми стенками изделия. При этом расстояние между верхней и нижней поверхностями прибора должно составлять не менее 50 мм, а расстояние от верха камина до любой нависающей над ним полки – 300 мм.

При необходимости металлические боковые стенки модели Bingham можно удалить при помощи входящих в комплект присосок (см. рис. 3а). Зафиксируйте присоски на переднем стекле и поднимите стекло сначала вверх, а затем – вниз и наружу от изделия. Снимите резиновый шнур с внутренней стороны стеклянных боковых стенок как снизу, так и сверху. Осторожно сдвиньте набор из металлической пластины и стеклянной боковой стенки (см. рис. 3б). Разъедините стеклянную боковую стенку и металлическую пластину и задвиньте стекло обратно на место. Для фиксации стеклянной боковой стенки используйте более толстый резиновый шнур,

6 который находится в пакете с руководством по эксплуатации.

Общая информация

Аккуратно распакуйте прибор и сохраните упаковку для дальнейшего использования на случай транспортировки или возврата камина поставщику. Пульт дистанционного управления, батарейки и лампы упакованы в отдельную коробку.

В камине предусмотрен эффект живого пламени, который можно использовать как в сочетании с функцией нагрева, так и без нее, что обеспечивает создание уютной обстановки в любое время года. При включении только эффекта пламени прибор потребляет небольшое количество электроэнергии.

Затем при помощи присосок установите на место переднее стекло. При необходимости воспользуйтесь присосками для коррекции положения переднего стекла и стеклянных боковых стенок.

Убедитесь, что между панелью МДФ и металлическим основанием остается зазор. Зазор необходим для притока воздуха внутрь изделия. Если зазор закрыть, пострадает как эффект живого пламени, так и производительность изделия.

Перед установкой прибора рекомендуется следующее:

1. Выбрать стиль модели Bingham и произвести необходимую регулировку прибора
2. Если прибор устанавливается в каминной трубе, убедитесь, что труба очищена квалифицированным трубочистом и заблокируйте дымовой канал.
Данные действия играют важную роль в обеспечении эффективной работы прибора.

Установка

Убедитесь, что весь упаковочный материал снят (внимательно читайте все предупреждающие надписи). Сохраните всю упаковку на случай последующей транспортировки или возврата прибора поставщику.

Внизу прибора находятся четыре регулируемые опоры, предназначенные для выравнивания камина в случае, если каминная ниша находится выше уровня топки.

Теперь можно устанавливать электрокамин. Убедитесь, что прибор **ВЫКЛЮЧЕН**.

Закрепите на стене настенный кронштейн, подобрав крепеж, подходящий для вашей стены. Вдвоем держите камин за боковые стенки, следует осторожно установить в нужное положение. Подключите камин к розетке 13 А / 240 В. Убедитесь, что кабель питания выходит спереди камина, в правом или левом углу, дотягивается до электророзетки и не зажат под камином, что может привести к его повреждению. Убедитесь, что после установки к вилке имеется свободный доступ.

Перед использованием элементов ручного управления заполните бак водой (см. «Техобслуживание», «Заполнение бака для воды»).

Элементы ручного управления

Элементы ручного управления печи Opti-myst находятся за фасадом ящика. Вытяните ящик, чтобы получить доступ к элементам управления (схему элементов ручного управления см. на рис. 2).

Выключатель «А»: управляет подачей питания к прибору.

Примечание: Данный переключатель должен находиться в положении «ON» (I) для работы обогревателя в режиме нагрева или без него.

Выключатель «В»: управляет функциями камина.

Нажмите  один раз для включения эффекта пламени.

Операция подтверждается одиночным звуковым сигналом.

Хотя основные индикаторы загораются немедленно, для включения эффекта пламени требуется еще около 30 секунд.

Повторное нажатие добавляет нагрев к эффекту пламени. Операция подтверждается двумя звуковыми сигналами.

Следующее нажатие оставляет только эффект пламени.

Операция подтверждается одиночным звуковым сигналом.

Нажмите , чтобы перевести камин в режим ожидания.

Операция подтверждается одиночным звуковым сигналом.

Переключатель «С» – управление вентилятором генератором тумана.

Генератор тумана имеет две скорости, высокую и низкую. Данная функция требуется для устранения появления конденсата на стеклянной поверхности. При включении генератора тумана его вентилятор 1 минуту работает на высокой скорости, а затем по умолчанию переходит на низкую.

Барабанный регулятор «D» – управление производительностью генератора тумана.

Вращение барабанного регулятора по направлению вверх увеличивает количество производимого тумана, а вращение вниз – уменьшает количество производимого тумана.

Примечание: В случае образования на стекле конденсата просто уменьшите количество производимого тумана и переведите вентилятор генератора тумана на высокую скорость, чтобы конденсат пропал.

Когда бак для воды пуст, основные индикаторы выключаются. Следуйте указаниям в главе «Техобслуживание» «Заполнение бака для воды». После завершения операции основные индикаторы загораются, однако для возобновления эффекта пламени требуется еще приблизительно 30 секунд.

Использование пульта дистанционного управления

Для использования дистанционного управления выключатель А (см. рис. 2) должен быть в положении «ON» (I) («ВКЛ»). На пульте ДУ имеются 3 кнопки (см. рис. 7).

Для правильной работы пульт ДУ следует направлять в сторону фасада камина, на область живого пламени.

Имеются следующие функции ДУ:

Однократное нажатие – включает одного эффекта пламени.



Операция подтверждается одиночным звуковым сигналом.

Двукратное нажатие – включение обогрева и эффекта пламени.



Операция подтверждается двумя звуковыми сигналами.

Ожидание



Операция подтверждается одиночным звуковым сигналом.

Информация об батареях.

1. Снимите крышку на задней стороне пульта ДУ (см. рис. 7).
2. Установите батареи AAA в пульт дистанционного управления.
3. Установите крышку отсека для батарей на место.

Утилизация батарей с нарушенной герметичностью.

Утилизируйте батареи надлежащим образом в соответствии с государственными и региональными нормативными актами. Установка батарей разного типа, неправильная установка, разрозненная замена батарей, их ликвидация путем сжигания в открытом огне, а также попытки зарядки батарей, не предназначенных для повторного использования, могут стать причиной утечки электролита.

Тепловые плавкие предохранители

Встроенный в вентилятор термopредохранитель предотвращает повреждение прибора вследствие перегрева. Это может произойти при ограничении отвода тепла или при неплотно закрытой заслонке дымохода. Если сработал предохранитель, отсоедините прибор от розетки и включите снова примерно через 10 минут. Перед повторным включением прибора устраните все препятствия для отвода тепла, затем установите обычный режим работы.

Осторожно: во избежание повреждения, вызванного случайным отключением теплового выключателя, в цепи электропитания устройства не должно быть внешнего переключающего устройства, такого как таймер или выключатель, который регулярно включается и выключается. Данный обогреватель не оснащен термостатом для контроля температуры помещения.

Советы по использованию прибора.

1. Выдвигайте ящик только при необходимости доливки воды в бак или замены ламп, иначе возможно превышение уровня воды в поддоне и ослабление эффекта пламени. Если это произойдет, слейте воду из поддона, как описано в главе «Техобслуживание».
2. При минимальной настройке пламени прибор использует примерно 40 мл воды на каждый час и работает в три раза дольше, чем при максимальном пламени.
3. Нельзя наклонять и двигать камин, когда в баке или поддоне есть вода.
4. Камин следует устанавливать только на ровной поверхности.
5. Барабанный регулятор пламени «D» (рис. 2) можно вращать вверх или вниз для достижения максимально реалистичного эффекта.
6. Иногда пламя кажется более реалистичным, если барабанный регулятор пламени установлен в минимальное положение.
7. Генератору пламени требуется некоторое время для реакции на изменения положения регулятора пламени.

Техобслуживание

ВНИМАНИЕ! ПЕРЕД ВЫПОЛНЕНИЕМ ТЕХОБСЛУЖИВАНИЯ ВСЕГДА ОТКЛЮЧАЙТЕ ПРИБОР ОТ ИСТОЧНИКА ПИТАНИЯ

Замена ламп

Если дым приобретает серый цвет или становится бесцветным, причиной этому может быть отказ одной или нескольких ламп.

Неисправности ламп можно выявить следующим образом.

1. Оставьте эффект пламени включенным и осторожно выдвиньте ящик за язычок до упора (см. рис. 3).
2. Рассмотрите лампы на расстоянии спереди камина, чтобы определить, какие из них необходимо заменить.
3. Переведите выключатель «А» в положение «OFF» («ВЫКЛ») и отсоедините камин от сети.
4. Перед удалением ламп дайте им остыть, оставив прибор на 20 минут.
5. Приподнимите и снимите бак для воды и поставьте его в раковину.
6. Снимите поддон, как описано в разделе «Чистка».
7. Удалите неисправную лампу, осторожно подняв вертикально и отсоединив штырьки от патрона (см. рис. 4 и 5). Замените неисправную лампу фирменной цветной лампой номиналом 12 В, 50 Вт, с цоколем G5.3 и углом расхождения светового пучка 8°. Лампы можно приобрести в магазине, где был приобретен прибор.
8. Осторожно вставьте два штырька новой лампы в два отверстия в патроне. Следите за тем, чтобы не повредить штырьки. Вдавите лампу для плотной посадки (см. рис. 4).
9. Установите на место поддон и бак для воды и осторожно закройте ящик.
10. Включите прибор.

Заполнение бака для воды

Когда бак для воды пуст, эффект пламени и дыма прекращается и раздаются два звуковых сигнала. Для наполнения бака следуйте приведенным указаниям:

1. Переведите выключатель «А» в положение (0) (см. рис. 2).
2. Осторожно выдвиньте ящик за язычок насколько возможно. (См. рис. 3).

3. Снимите бак для воды, приподняв и выдвинув его наружу.
4. Поставьте бак для воды в раковину и открутите пробку против часовой стрелки (см. рис. 6).
5. Наполните бак. **Используйте только фильтрованную водопроводную воду.** Это продлит срок службы блока создания пламени и дыма. **Не используйте средства для снижения жесткости воды.**
6. Заверните пробку, **не допуская ее перетягивания.**
7. Установите бак на поддон так, чтобы пробка бака была обращена вниз, а плоская сторона бака – наружу.
8. Осторожно задвиньте ящик назад до упора.
9. Переведите выключатель «А» в положение «ВКЛ» (I) (см. рис. 2).
10. Нажмите один раз на выключатель «В» для включения эффекта пламени (см. раздел о ручном управлении, рис. 2).

Чистка.

ВНИМАНИЕ! ПЕРЕД ЧИСТКОЙ ВСЕГДА ОТКЛЮЧАЙТЕ ОБОГРЕВАТЕЛЬ ОТ ИСТОЧНИКА ПИТАНИЯ.

Рекомендуем очищать следующие компоненты каждые 2 недели, особенно в регионах с жесткой водой:

бак для воды, поддон и уплотнение, крышку поддона, пробку и уплотнение бака, воздушный фильтр.

Общая чистка выполняется мягкой, чистой тряпкой – ни в коем случае не используйте абразивные чистящие средства. Для удаления скопления пыли или пуха и очистки вытяжной воздухораспределительной решетки вентилятора прибора периодически используйте насадку пылесоса в форме мягкой щетки.

Бак для воды

1. Снимите бак для воды, как было описано ранее, поставьте его в раковину и слейте воду.
2. Прилагаемой щеткой аккуратно очистите внутренние поверхности пробки, уделяя особое внимание резиновому кольцу в наружной бороздке и центральному уплотнительному кольцу.
3. Капните немного жидкости для мытья посуды в бак, закройте пробку и хорошо встряхните, затем ополосните, удалив все остатки моющей жидкости.
4. Залейте обязательно фильтрованную воду и заверните пробку, не допуская ее перетягивания.

Поддон

1. Переведите выключатель «А» в положение «ВЫКЛ» (0).
2. Осторожно выдвиньте ящик насколько возможно (см. рис. 3).
3. Снимите бак для воды, приподняв его вверх.
4. Отсоедините электрический разъем, расположенный с левой стороны поддона, отвернув вначале два зажимных винта, и осторожно извлеките разъем (см. рис. 8).
5. Разомкните нижние фиксаторы поддона, повернув на 90°. Теперь можно полностью снять поддон (см. рис. 9).
6. Осторожно приподнимите узел поддона, держа его ровно, чтобы не пролить воду. **Не погружайте поддон в воду, так как это повредит находящиеся внутри компоненты** (см. рис. 10).
7. Разомкните два верхних фиксатора поддона, повернув на 90°, затем снимите крышку поддона (см. рис. 11).
8. Осторожно наклоните, как показано на иллюстрации, чтобы жидкость вытекла из поддона (см. рис. 12).
9. Капните немного жидкости для мытья посуды в поддон и прилагаемой щеткой аккуратно очистите все поверхности, в т.ч. металлический диск и резиновое уплотнение на верхней стороне с канавкой. **Не удаляйте резиновые уплотнения.** (см. рис. 13).
10. После чистки тщательно промойте поддон чистой водой.
11. Очистите наружную поверхность крышки поддона щеткой и тщательно промойте водой (см. рис. 15 и 16).
- 8 12. Сборка производится в обратном порядке.

Воздушный фильтр

1. Переведите выключатель «А» в положение «ВЫКЛ» (0) (см. рис. 2).
2. Осторожно выдвиньте ящик насколько возможно (см. рис. 3).
3. Снимите бак и поместите в раковину пробкой вверх.
4. Осторожно отодвиньте вверх пластиковый держатель фильтра (см. рис. 17).
5. Выньте набор фильтров из пластикового держателя.
6. Осторожно промойте водой в раковине и вытрите полотенцем.
7. Поместите набор фильтров обратно, убедившись, что грубый фильтр черного цвета обращен в сторону пластикового держателя (см. рис. 18).
8. Установите бак на место.
9. Полностью закройте ящик.
10. Переведите выключатель «А» в положение «ВКЛ» (I) (см. рис. 2).



Вторичная переработка.

Для электроприборов, продаваемых в странах ЕС. Приборы, выработавшие свой ресурс, не подлежат утилизации вместе с бытовыми отходами. Утилизация должна осуществляться в специально оборудованных местах. Для получения информации о правилах утилизации в своей стране обратитесь в местные органы власти или в магазин.

Послепродажное обслуживание.

Гарантийный срок для данного прибора составляет один год, начиная со дня покупки. В течение этого времени мы обязуемся бесплатно выполнять ремонт или замену изделия (кроме ламп и с учетом наличия деталей и изделий) при условии, что установка и эксплуатация изделия выполнялась в соответствии с данными инструкциями. За помощью в получении послепродажного обслуживания или приобретении запасных деталей, обращайтесь в магазин розничной торговли, в котором был приобретен прибор, или в центр обслуживания клиентов, расположенный в Вашей стране: его телефонный номер приведен в гарантийном талоне. Не отправляйте неисправное изделие непосредственно производителю, поскольку это может привести к необоснованным издержкам, ущербу или задержке в предоставлении надлежащего уровня обслуживания.

Сохраните чек, подтверждающий факт покупки прибора.

Устранение неисправностей		
Признак	Причина	Способ устранения
Эффект пламени не включается.	<p>Вилка не вставлена в розетку.</p> <p>Выключатель «А» находится в положении «ВКЛ» (1), но переключатель режимов «В» не нажат (см. рис. 2).</p> <p>Низкий уровень воды.</p> <p>Неверное подключение низковольтного разъема. (см. рис. 8).</p>	<p>Убедитесь, что вилка как следует в розетку.</p> <p>Нажмите на выключатель В один раз для выбора эффекта пламени (см. рис. 2).</p> <p>Проверьте, наполнен ли водяной бак, а также проверьте наличие воды в поддоне.</p> <p>Убедитесь, что разъем подсоединен правильно (см. рис. 8).</p>
Эффект пламени слишком слабый.	<p>Барабанным регулятором пламени выбран слишком слабый эффект пламени (см. рис. 2).</p> <p>Уровень воды в поддоне может быть слишком высоким из-за того, что ящик открывался и закрывался слишком часто, бак для воды снимался слишком часто или камин передвигался.</p> <p>Может быть загрязнен металлический диск на основании поддона (см. рис. 12).</p>	<p>Увеличьте уровень пламени, медленно вращая барабанный регулятор пламени «D» по часовой стрелке (см. рис. 2).</p> <p>Если уровень воды в поддоне выше 40 мм, следует вынуть и слить поддон.</p> <p>Очистите металлический диск прилагаемой мягкой щеткой (см. рис. 12). См. пошаговую инструкцию в разделе «Техобслуживание».</p>
Неприятный запах при использовании прибора.	<p>Грязная или застоявшаяся вода.</p> <p>Использование нефilterованной воды.</p>	<p>Очистите прибор, как описано в разделе «Техобслуживание».</p> <p>Используйте только фильтрованную водопроводную воду.</p>
Эффект пламени дает слишком много дыма.	Установлен слишком сильный эффект пламени.	Поверните барабанный регулятор пламени «D» вниз до минимума, а затем медленно вращайте его вверх. Перед увеличением следует выждать некоторое время, чтобы генератор пламени отреагировал на изменение (см. рис. 2).
Основные лампы не горят, нет пламени или дыма.	В баке нет воды.	<p>Следуйте указаниям в главе «Техобслуживание», «Заполнение бака для воды».</p> <p>Убедитесь, что вилка правильно подсоединена к розетке.</p> <p>Выключатель «А» (рис. 2) находится в положении «ВКЛ» (1).</p> <p>Нажмите на выключатель «В» (рис. 2) только один раз (чтобы прозвучал один звуковой сигнал) для включения эффекта пламени.</p>
На стекле конденсируется влага	<p>Производится слишком много тумана</p> <p>При включении изделия стекло могло быть холодным</p>	<p>Уменьшите количество производимого тумана, вращая барабанный регулятор «D» по направлению вниз.</p> <p>Уменьшите количество производимого тумана и выберите высокую скорость переключателем «С».</p> <p>Дайте прибору поработать на этих установках, пока стекло не станет чистым; затем переведите его в желаемый режим. Повторите данную последовательность в случае повторного появления конденсата.</p>

Официальный сайт в России: dimplex.ru

Opti-myst is a trade mark of GDC Group Ltd.

This product is protected by one or more of the following patents: PCT/ EP2005/009774, PCT/ EP2007/002207, GB0717773.6, GB0717772.8, GB0717770.2, GB0809322.1The design of this product is protected by EU Design Rights

DIMPLEX
MILLBROOK HOUSE
GRANGE DRIVE
HEDGE END
SOUTHAMPTON
SO30 2DF

TEL: 0845 600 5111
FAX: 01489 773050
WEBSITE: www.dimplex.co.uk

Republic of Ireland Tel. 01 8424833

Dimplex is a division of GDC Group Ltd.

[c] All rights reserved. Material contained in this publication may not be reproduced in whole or in part, without prior permission in writing of GDC Group Ltd.