



ARISTON

# SPARE PARTS EXPLODED VIEW STORAGE ELECTRIC WATER HEATERS

Model

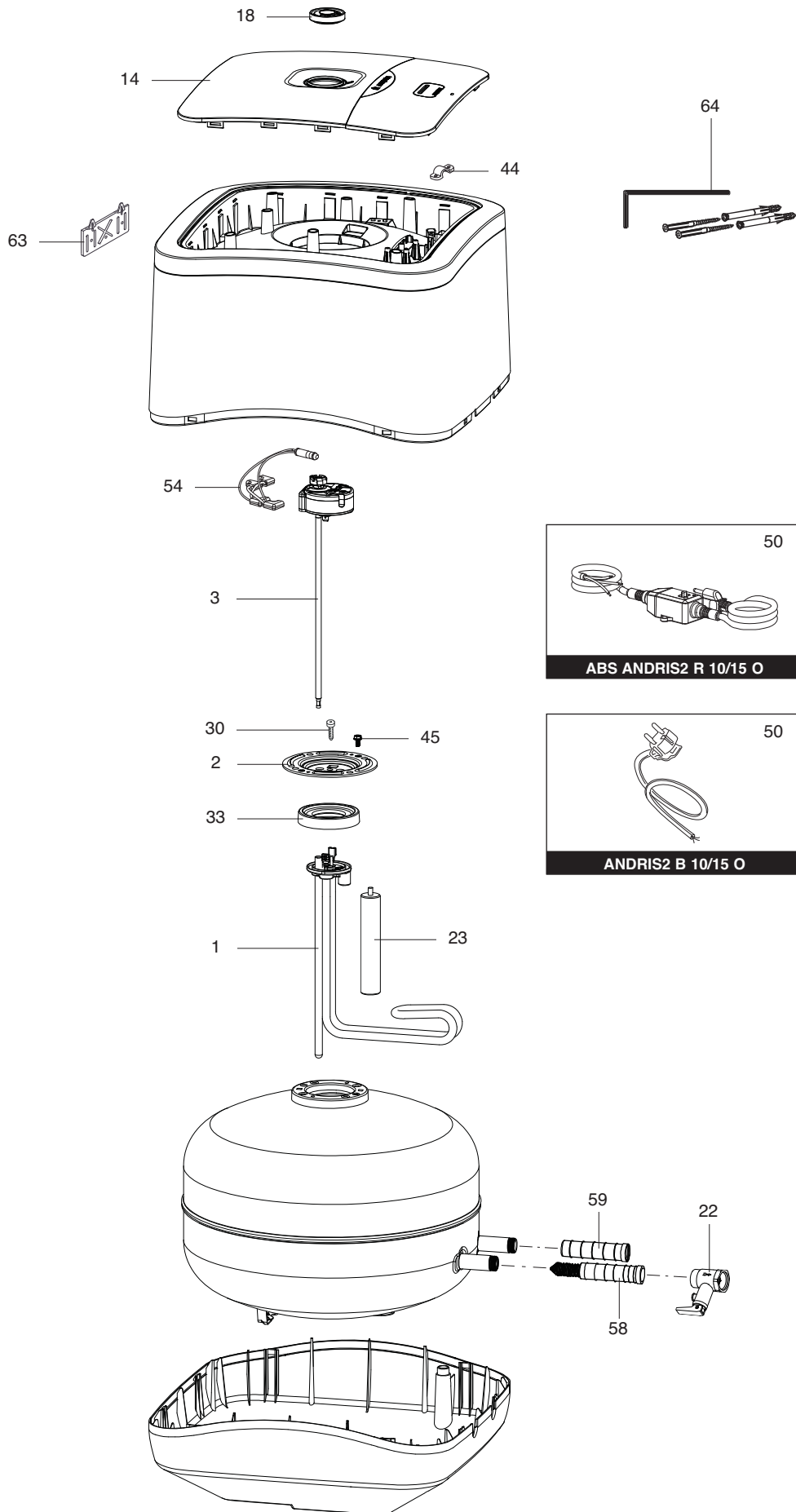
## ANDRIS2 B/R O

R8218625-03 - 23/05/2022

ANDRIS2 B/R O

Storage Electric Water Heaters

1	3180762	ANDRIS2 B 10 O	01-2021	05-2022
2	3180770	ANDRIS2 B 10 U	11-2021	-
3	3180798	ANDRIS2 B 10 2.5 O	11-2021	-
4	3180759	ABS ANDRIS2 R 10 O	01-2021	05-2022
5	3180797	ABS ANDRIS2 R 10 2.5 O	11-2021	-
6	3180768	ABS ANDRIS2 R 10 U	11-2021	-
7	3180763	ANDRIS2 B 15 O	01-2021	-
8	3180771	ANDRIS2 B 15 U	11-2021	-
9	3180760	ABS ANDRIS2 R 15 O	01-2021	-
10	3180769	ABS ANDRIS2 R 15 U	11-2021	-
Col	Reference	Model type	Begin	End



☉⇒	Description	Manf. Pt. N	Type	<div style="display: flex; justify-content: space-between; font-size: small;"> <span>ANDRIS2 B 10 O</span> <span>ANDRIS2 B 10 U</span> <span>ABS ANDR.2 R 10 O</span> <span>ABS ANDR.2 R 10 U</span> <span>ANDRIS2 B 15 O</span> <span>ABS ANDR.2 R 15 O</span> </div>																		From	to
				1	2	3	4	5	6	7	8	9	10	11	12	13	14	15	16	17	18		
0001	НАГРЕВАТЕЛЬНЫЙ ЭЛЕМЕНТ 2000W 230V	65190761		●			●																
	НАГРЕВАТЕЛЬНЫЙ ЭЛЕМЕНТ 2500W 230V	65190472																					
	НАГРЕВАТЕЛЬНЫЙ ЭЛЕМЕНТ 2500W 230V	65191192			●	●		●	●														
0002	ФЛАНЕЦ (4 БОЛТА)	65190508		●	●	●	●	●	●	●	●	●	●	●	●	●	●	●	●				
0003	ТЕРМОСТАТ	65190738																					
	ТЕРМОСТАТ	65190762		●	●	●	●	●	●														
0014	КРЫШКА ПЛАСТИКОВАЯ	65190814		●	●	●																	
	КРЫШКА ПЛАСТИКОВАЯ	65190817					●	●	●										●		●		
0018	РУЧКА РЕГУЛИРОВКИ	65190815		●	●	●																	
	РУЧКА РЕГУЛИРОВКИ	65190818					●	●											●				
	РУЧКА РЕГУЛИРОВКИ	65191242																	●				
0022	ПРЕДОХРАНИТЕЛЬНЫЙ КЛАПАН (1/2" 8 БАР)	65120945		●	●	●	●	●	●	●	●	●	●	●	●	●	●	●	●				
0023	МАГНИЕВЫЙ АНОД D:21,3 L:110 M5-M8	65103768-01		●	●	●	●	●	●	●	●	●	●	●	●	●	●	●	●				
0030	ВИНТ М6Х12	993000		●	●	●	●	●	●	●	●	●	●	●	●	●	●	●	●				
0033	ПРОКЛАДКА ФЛАНЦА НА 4 БОЛТАХ	65190469		●	●	●	●	●	●	●	●	●	●	●	●	●	●	●	●				
0044	ЗАЖИМ ДЛЯ КАБЕЛЯ	573266-CN		●	●	●	●	●	●	●	●	●	●	●	●	●	●	●	●				
0045	ВИНТ ФЛАНЦА М6Х12	65114656		●	●	●	●	●	●	●	●	●	●	●	●	●	●	●	●				
0050	КАБЕЛЬ ПИТАНИЯ	993199		●	●	●																	
	КАБЕЛЬ ПИТАНИЯ С УЗО	65190770					●	●	●										●		●		
0054	ИНДИКАТОРНАЯ ЛАМПА	65190475		●	●	●	●	●	●	●	●	●	●	●	●	●	●	●	●				
0058	РАССЕКATEЛЬ ВОДЫ (1/2" Н=58)	65190471		●	●	●	●	●	●														
0059	ТРУБКА ВХОДА ХОЛОДНОЙ ВОДЫ	65190808					●	●	●										●		●		
0063	КРОНШТЕЙН	65190207		●	●	●	●	●	●	●	●	●	●	●	●	●	●	●	●				
0064	ПРИНАДЛЕЖНОСТИ ДЛЯ МОНТАЖА	65190158		●	●	●	●	●	●	●	●	●	●	●	●	●	●	●	●				

## LIST OF THE ABBREVIATIONS

HW .....	: Hot water.
CW .....	: Cold water.
C .....	: Ceramic resistance (normal heating).
Ca .....	: Ceramic resistance (accelerated heating)
TP .....	: Immersion heater.
1F .....	: With fittings.
2F .....	: Without fittings.
3F .....	: With fittings and another outlet connection.
AMI .....	: With mixing valve.
SMI .....	: Without mixing valve.
PUISS .....	: Power of th appliance.
PN .....	: Appliance with normal pression.
LP .....	: Appliance with low pression.
PV .....	: Appliance with variable power.
PF .....	: Appliance with fixed power.

## IDENTIFICATION PLATE

### SERIAL NUMBER

**6 Characters :**  
 Year of manufacture 03 09 08 Manufacturing day  
 Month of manufacture

**9 Characters :**  
 Year of manufacture 5 9 12 0606 Sequential number  
 Month of manufacture

**14 Characters :**  
SI-V-0B0 45 07 0001  
 Sequential number  
 Year of manufacture : 6 → 2004  
 Month of manufacture : → 25 → January 43 → July 7 → 2005  
13 → February 29 → August 8 → 2006  
32 → March 40 → September etc ...  
35 → April 38 → October  
39 → May 51 → November  
45 → June 12 → December

**14 Characters :**  
111518 XX 000010  
 Month of manufacture 11 Sequential number  
 Day of manufacture 18 Year of manufacture

**15 Characters :**  
 Year of manufacture 02 11 00001 007843 Product reference  
 Month of manufacture Sequential number

**21 Characters :**  
3200050 XX 08115 0000001  
 Product reference Sequential number  
 Year (08) / Manufacturing day (115)

**22 Characters :**  
3200050 XX 070115 0000001  
 Product reference Sequential number  
 Year (07) / Month (01) / Manufacturing day (15)