

SPARE PARTS EXPLODED VIEW
STORAGE GAS WATER HEATERS

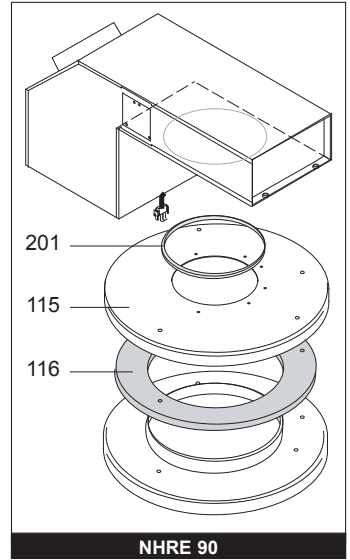
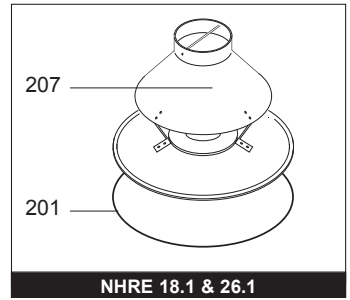
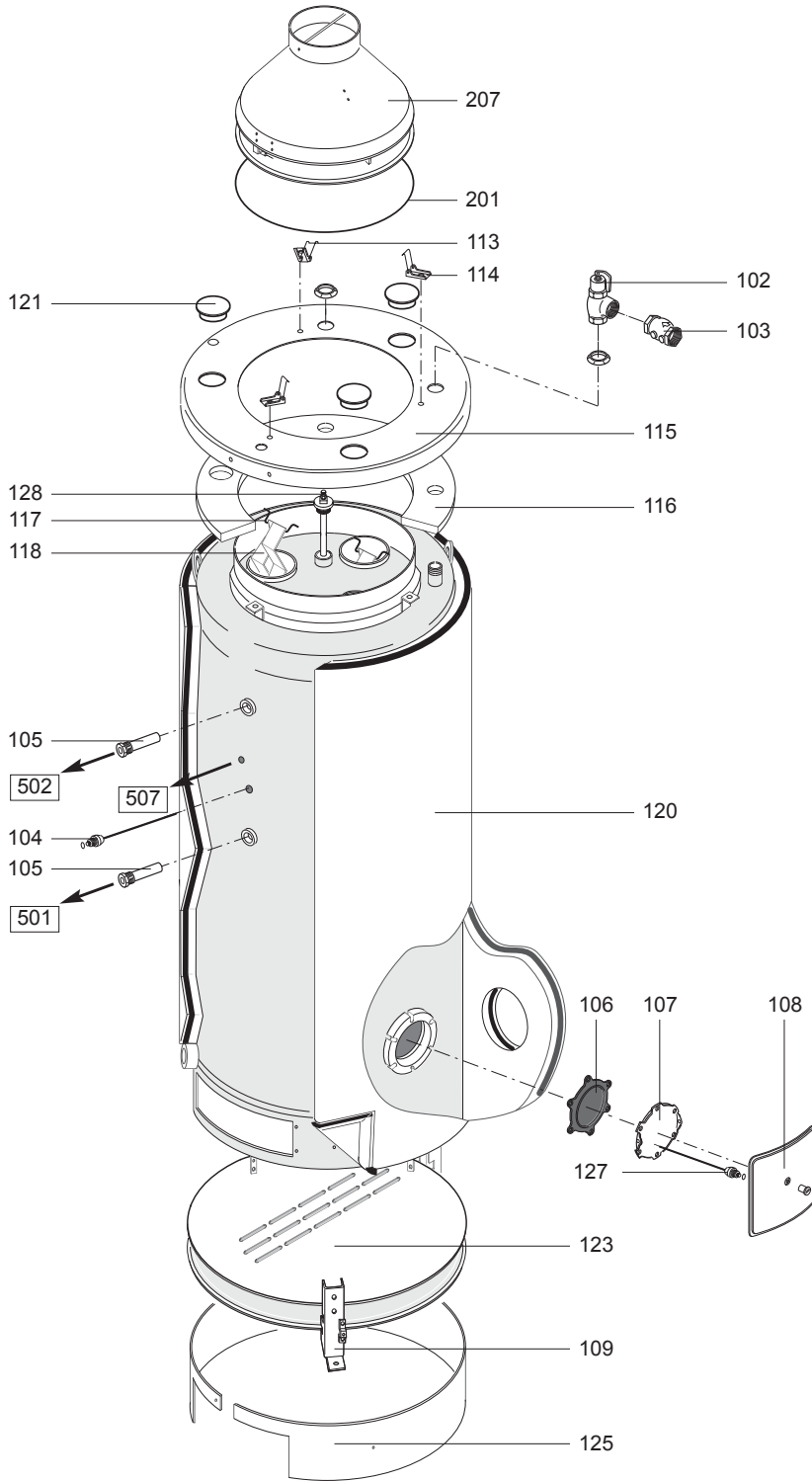
Model

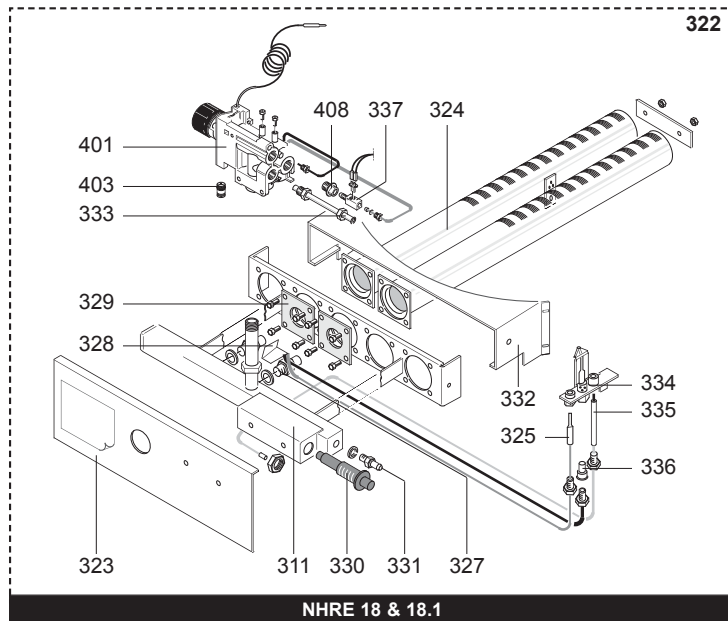
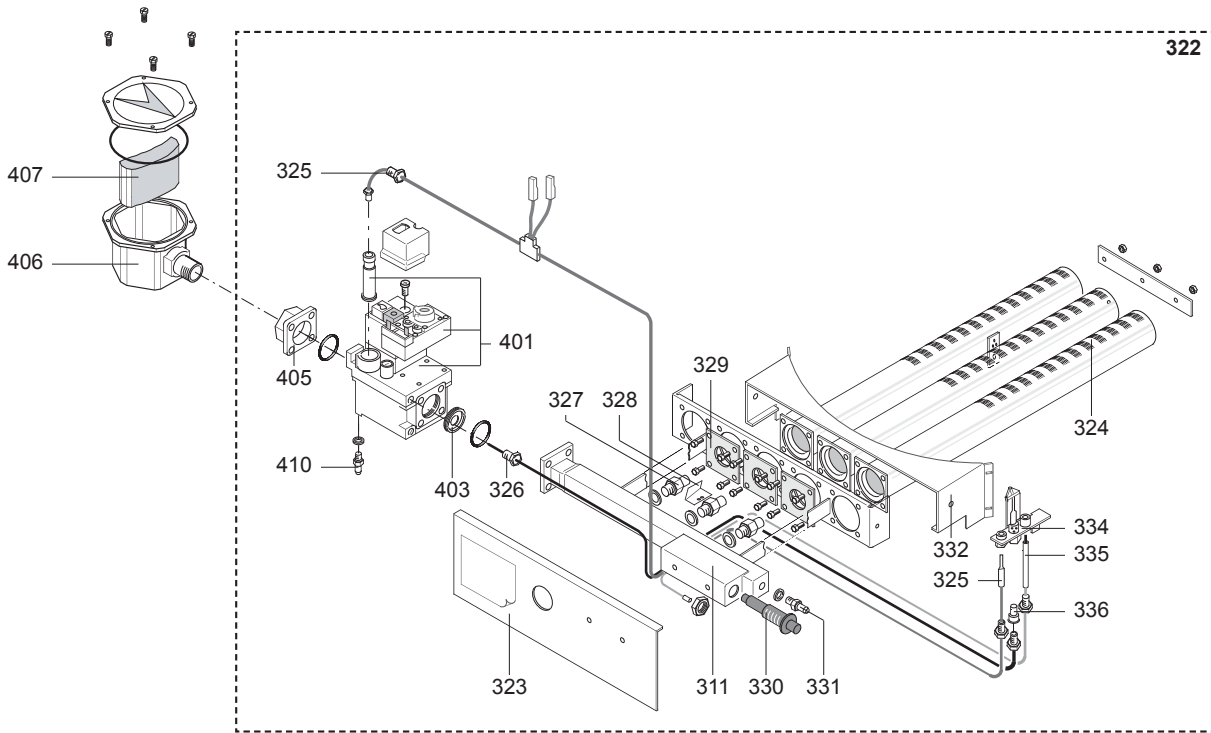
NHRE PROTECH

R8202820-05 - 09/11/2016

1	006480	NHRE 18 ARISTON	03-1998	-
1	006485	NHRE 18 RADI	03-1998	11-2009
1	006490	NHRE 18 SITAM	03-1998	11-2009
1	006495	NHRE 18 SIMAT	03-1998	03-2008
2	006481	NHRE 26 ARISTON	03-1998	-
2	006486	NHRE 26 RADI	03-1998	11-2009
2	006491	NHRE 26 SITAM	03-1998	11-2009
2	006496	NHRE 26 SIMAT	03-1998	03-2008
3	006482	NHRE 36 ARISTON	03-1998	-
3	006487	NHRE 36 RADI	03-1998	11-2009
3	006492	NHRE 36 SITAM	03-1998	11-2009
3	006497	NHRE 36 SIMAT	03-1998	03-2008
4	006483	NHRE 60 ARISTON	03-1998	-
4	006488	NHRE 60 RADI	03-1998	11-2009
4	006493	NHRE 60 SITAM	03-1998	11-2009
4	006498	NHRE 60 SIMAT	03-1998	03-2008
5	006484	NHRE 90 ARISTON	03-1998	-
5	006489	NHRE 90 RADI	03-1998	11-2009
5	006494	NHRE 90 SITAM	03-1998	11-2009
5	006499	NHRE 90 SIMAT	03-1998	03-2008

Col	Reference	Model type	Begin	End
-----	-----------	------------	-------	-----

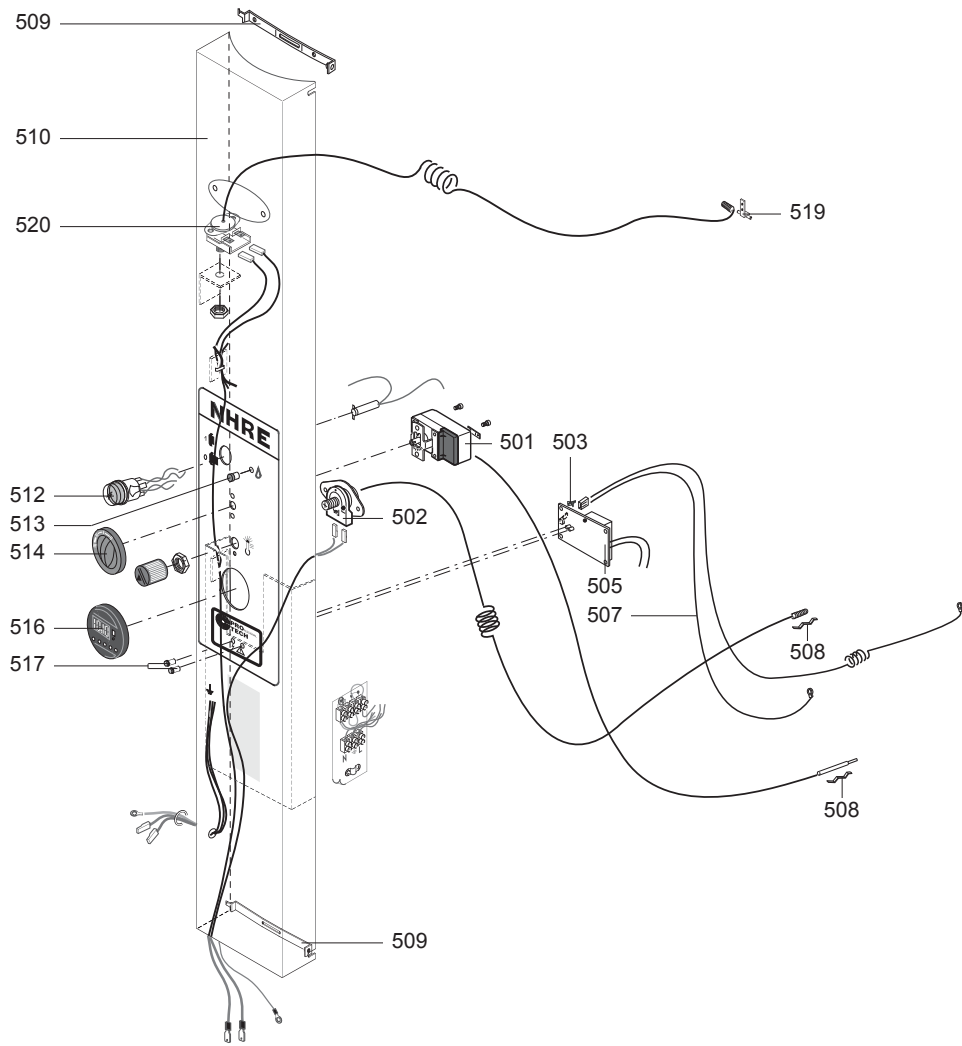




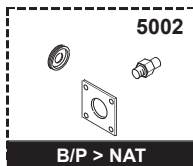
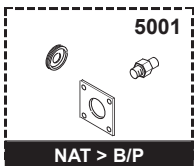
☉⇒	Description	Manf. Pt. N	Type																								
				1	2	3	4	5	6	7	8	9	10	11	12	13	14	15	16	17	18	From	to				
0300	BURNER ASSEMBLY																										
0311	GAS COLLECTOR	339446			•	•																					
	GAS COLLECTOR	339448					•																				
	GAS COLLECTOR	339450						•																			
0322	BURNER (NG)	339407	NAT	•																							
	BURNER (NG)	339408	NAT		•																						
	BURNER (NG)	339409	NAT			•																					
	BURNER (NG)	339411	NAT				•																				
	BURNER (NG)	339413	NAT					•																			
0323	CASE DOOR (FRONT)	337775		•	•	•	•																				
	CASE DOOR (FRONT)	337792					•																				
0324	BURNER (L=560MM)	339328				•	•																				
	BURNER (L=600MM)	339327						•																			
	BURNER (PILOT SUPPORT) L=520MM	339331		•	•				•																		
	BURNER (WITH L=560MM PILOT SUPPORT)	339329					•	•																			
	BURNER L=520MM	339330		•	•		•	•																			
0325	THERMOCOUPLE	340327		•																							
	THERMOCOUPLE	990121			•	•	•	•																			
0326	PILOT BURNER INLET PIPE	338345				•	•	•																			
	PILOT BURNER INLET PIPE	338347			•				•																		
	PILOT BURNER INLET PIPE	338373		•																							
0327	INJECTOR D: 1.70	339458	B/P		•				•																		
	INJECTOR D: 1.90	339451	B/P				•	•																			
	INJECTOR D: 2.10	339356	B/P							•																	
	INJECTOR D: 3.25	339352	NAT				•	•																			
	INJECTOR D: 3.65	339353	NAT								•																
	MAIN BURNER JET	339354	B/P	•					•	•																	
	MAIN BURNER JET	339351	NAT	•	•				•	•																	
0328	BAFFLE PLATE	337049		•	•	•	•	•																			
0329	AIR LIMITER	337041	NAT	•																							
	NG D.26 AIR LIMITER	337534	NAT		•																						
	NG D.28 AIR LIMITER	337703	NAT						•	•																	
0330	IGNITER	340019		•	•	•	•	•																			
0331	INTAKE (PRESSURE)	346086		•	•	•	•	•																			
0332	BURNER SUPPORT	337763		•	•	•	•																				
	BURNER SUPPORT	337788								•																	
0333	PIPE (GAS INLET)	338476		•																							
0334	BURNER (PILOT)	339377		•	•	•	•	•																			
0335	IGNITION ELECTRODE WITH CABLE	340261		•	•	•	•	•																			
0336	BURNER JET (PILOT)	339357	B/P	•	•	•	•	•																			
	BURNER JET (PILOT)	289202	NAT	•	•	•	•	•																			
0337	SAFETY BLOCK	340081		•																							
0400	GAS SECTION																										
0401	GAS VALVE	340259			•	•	•	•																			
	GAS VALVE (LPG)	340366	B/P	•																							
	GAS VALVE (NG)	340365	NAT	•																							
0403	RESTRICTOR D: 10.60	346202	NAT									•															
	RESTRICTOR D: 2.5	346184	NAT	•																							
	RESTRICTOR D: 2.8	346185	B/P	•																							
	RESTRICTOR D: 6.0	346179	NAT		•																						
	RESTRICTOR D: 7.50	346177				•																					
	RESTRICTOR D: 8.85	346178	NAT								•																
0405	GAS VALVE FLANGE	346084		•	•	•	•	•																			
0406	GAS FILTER	340336		•	•	•	•	•																			
0407	GAS FILTER CARTRIDGE	340337		•	•	•	•	•																			
0408	ELECTROMAGNET	340364		•																							
0410	INTAKE (PRESSURE)	346086			•	•	•	•																			

NHRE PROTECH

Storage Gas Water Heaters



5000



LIST OF THE ABBREVIATIONS

HW	: Hot water.
CW	: Cold water.
C	: Ceramic resistance (normal heating).
Ca	: Ceramic resistance (accelerated heating)
TP	: Immersion heater.
1F	: With fittings.
2F	: Without fittings.
3F	: With fittings and another outlet connection.
AMI	: With mixing valve.
SMI	: Without mixing valve.
PUISS	: Power of th appliance.
PN	: Appliance with normal pression.
LP	: Appliance with low pression.
PV	: Appliance with variable power.
PF	: Appliance with fixed power.

IDENTIFICATION PLATE

SERIAL NUMBER

12 Characters : 924 2 3 134 0115
 Product reference ———— Sequential number
 Year of manufacture ———— Manufacturing day

15 Characters : 03 126 0001 893077
 Year of manufacture ———— Product reference
 Manufacturing day ———— Sequential number

9 Characters : D 97 442118
 Month of manufacture : ———— Sequential number
A → January, B → February
C → March, etc... ———— Year of manufacture

10 Characters : 05 01 000001
 Year of manufacture ———— Sequential number
 ———— Month of manufacture

11 Characters : 05 09 0093320
 Year of manufacture ———— Sequential number
 ———— Month of manufacture

21 Characters : 3000115 XX 08115 0000001
 Product reference ———— Sequential number
 ———— Year (08) / Manufacturing day (115)

22 Characters : 3000115 XX 070416 0000001
 Product reference ———— Sequential number
 ———— Year (07) / Month (04) / Manufacturing day (16)

The indications mentioned on the prices, commercial or technical literature and the scheme are written for your guidance and are available at a given time. The CONSTRUCTOR retains the power to modify the presentation, the form, the size, the conception or the material of the products.